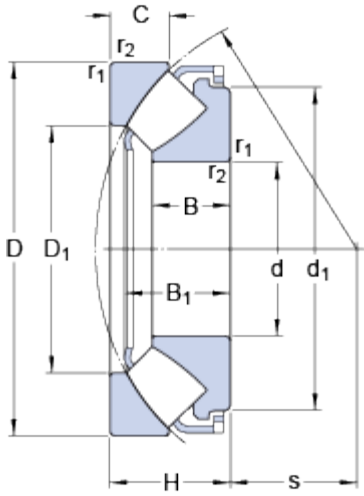


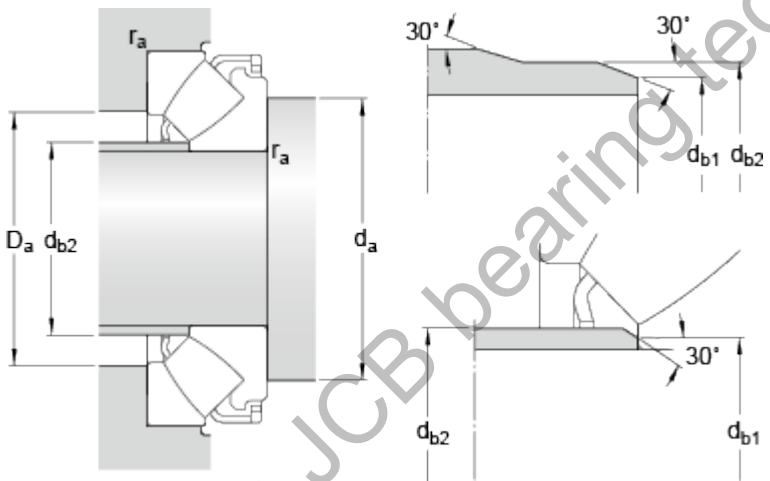
29317 EX

Dimensions



d	85	mm
D	150	mm
H	39	mm
d ₁	≈ 134	mm
D ₁	≈ 110	mm
B	24.5	mm
B ₁	33.8	mm
C	20	mm
s	50	mm
r _{1,2}	min. 1.5	mm

Abutment dimensions



d _a	min. 115	mm
d _{b1}	max. 90	mm
d _{b2}	max. 90	mm
D _a	max. 129	mm
r _a	max. 1.5	mm

Calculation data

Basic dynamic load rating	C	380	kN
Basic static load rating	C ₀	1060	kN
Fatigue load limit	P _u	129	kN
Reference speed		2400	r/min
Limiting speed		4000	r/min
Minimum axial load factor	A	0.11	

Mass

Mass bearing		2.75	kg
--------------	--	------	----